

CONTURA DA

Basic product information

The product line CONTURA DA stands for street lamps with top parameters giving price-value ratio among best on the market. CONTURA DA lamps are available in 18 power ranges. Patented modular concept of the CONTURA DA lamps provides variability of optometrics as well as performance parameters. Fully sealed LED optic modules are replaceable. It allows a lamp life upgrade after LED lifetime expiration or an efficiency upgrade of the lamp after new generations of improved LED chips will enter the market.

Advantages of CONTURA DA

- Robust body and attractive design.
- Dimmable drivers from renowned world producers such as Meanwell, with high efficiency $\eta > 88\%$ incl. power factor compensation.
- High-performance LEDs from leading producers (Epistar, Bridgelux, Nichia, Citizen), reaching 200 lm/W top performance
- Modular concept enabling to compile exactly the optimum lamps for each illumination project. As an option, a special optics distributing light asymmetrically in both vertical axes is available, a technology very well applicable for illumination of street pedestrian crossings.
- Hermetic optical unit with the highest possible protection grade IP68 and with a glass lens made of hardened optical boron silicate glass, ensuring virtually no need of maintenance.
- Optimal lamp thermal management, ensuring long lifetime and long-term stability of parameters and allowing unrivalled LED lifetime parameters
- Option of equipping with a programmable unit Smart Control, which lowers the light intensity in times of low road traffic to a predefined level(s). These units are built-in into the lamps and work autonomously, without the need of a steering signal from a central unit.

Technical parameters of CONTURA DA lamps

Rated voltage	230 V/50 Hz
Power	21 – 154 W
Luminous flux (lamp)	3.000 - 20.000 lm
Luminaire efficiency @25°C	up to 140 lm/W
Protection grade driver compartment	IP67
Lamp life	min. 100.000 hours
Operating temperature	-40°C to +40°C
Lamp body	aluminium die cast
Surface finish	polyester powder coating light grey RAL 7042
Dimensions (top pole mounting)	512,5x255x117,5 mm
Dimensions (horizontal bracket)	420x255x180 mm
Weight	7,1 – 7,8 kg (power grade and optics depending)
Insulation class	I
Pole diameter	60 mm
Elevation (tilt)	0° to 30°, step 5°
Color temperature	4.800K (as an option 3.000 to 5.000K)
Color rendering index (CRI)	R _a > 70 standard R _a 80, R _a 90 - Option
LED COB chips	Nichia, Bridgelux (21-92W) Citizen (93W-154W)
Impact protection grade	IK08
Light source	encapsulated LED module IP68
Lens	hardened optical boron silicate glass
LED lifetime L80 @T_a=25°C	DA200 >110.000 h Up to DA70 >150.000 h
LED lifetime L80 @T_a=10°C	DA200 >140.000 h Up to DA70 >150.000 h
LED Driver	MeanWell
Power factor, efficiency	> 0.95, > 90%

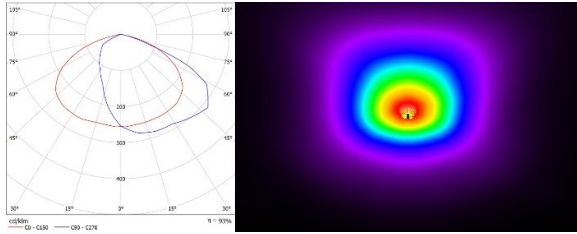
On-demand lamp control options

Smart Control, CLO (constant light output), LED Module thermal protection, DALI

Certificates & compliance

CE, RoHS, IP67 (LED driver), IP68 (optical unit), ENEC, IK08.

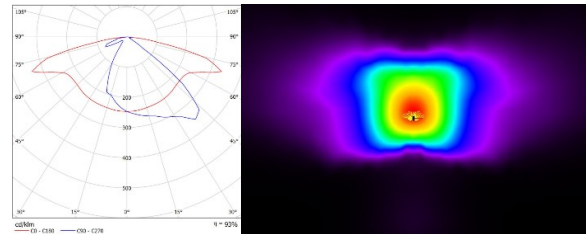
Typical photometrical features and their application areas



W401CS22

Typical application: car parkings, crossways

Optimal for illuminating classes: S, CE

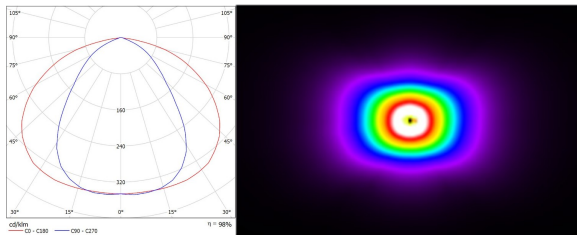


W504CS22

Typical application:

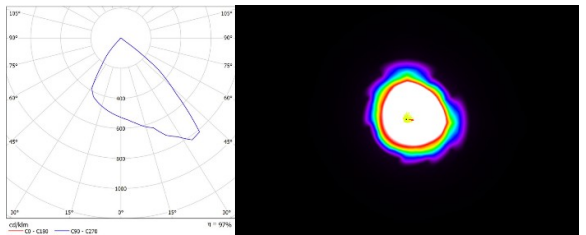
main roads,
residential areas

Optimal for illuminating classes: ME, S



W782CS22

Typical application: architectural lighting
sports areas



W787RCN15

Typical application:

crosswalks

Optimal mounting height:

6m

Rated luminous flux and power consumption by type variants

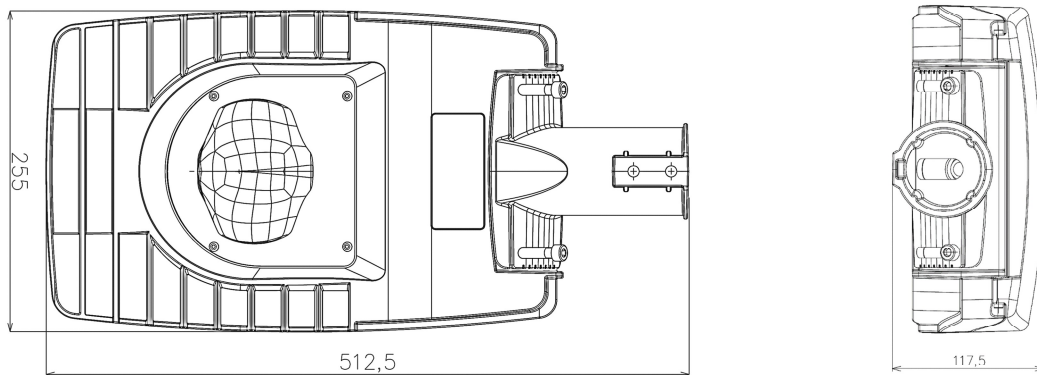
CONTURA DA power grade	DA30	DA40	DA50	DA60	DA70	DA80	DA90	DA100	DA110
Rated luminous flux @25°C [lm]	3 000	4 000	5 000	6 000	7 000	8 000	9 000	10 000	11 000
Power consumption [W]	21	29	38 ¹	46 ¹	54 ¹	62 ¹	69 ¹	77 ¹	85 ¹

CONTURA DA power grade	DA120	DA130	DA140	DA150	DA160	DA170	DA180	DA190	DA200 ²
Rated luminous flux @25°C [lm]	12 000	13 000	14 000	15 000	16 000	17 000	18 000	19 000	20 000
Power consumption [W]	92 ¹	93 ¹	100 ¹	107 ¹	114 ¹	126 ¹	133 ¹	146 ¹	154 ¹

¹ - Possibility of power adjustment -50%/+10%

² - Output increase +10% allowed for T_a < 25°C

Dimensions – top pole mounting [mm]



intelligent LED Street Lighting made in EU

